



## P109

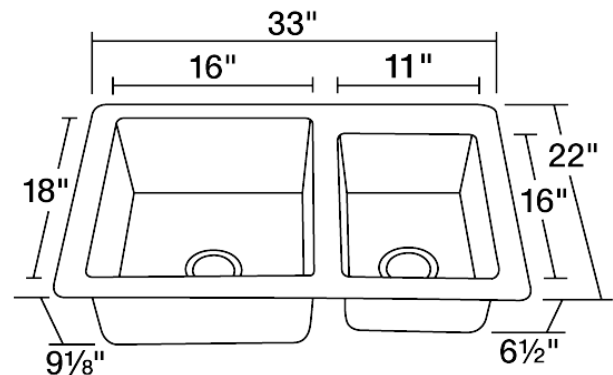
### Offset Double Bowl Copper Sink

The P109 offset double bowl undermount sink is made from 99% pure-mined copper. It is comprised using one piece construction, giving you a very strong and durable copper sink. Since copper is naturally anti-bacterial and stain resistant, it is great for busy households that benefit from low-maintenance materials. The hammered finish looks great and provides a mask for small scratches that may appear over time. The overall dimensions of the P109 are 33" x 22" x 9 1/8" and a 33" minimum cabinet size is required. The sink contains a centered 3 1/2" drain opening and copper strainers and flanges are available. The hand-crafted copper details are sure to add warmth and richness to any decor.

### Tech Specs

- Undermount Installation
- Hammered Finish
- One-Piece Construction
- Naturally Antibacterial
- Cardboard Cutout Template Included
- Installation Hardware Included
- Limited Lifetime Warranty

### Dimensions



\*Due to the handmade nature of this sink, dimensions may vary up to ~1/4"

### Accessories Available

