



# P2151

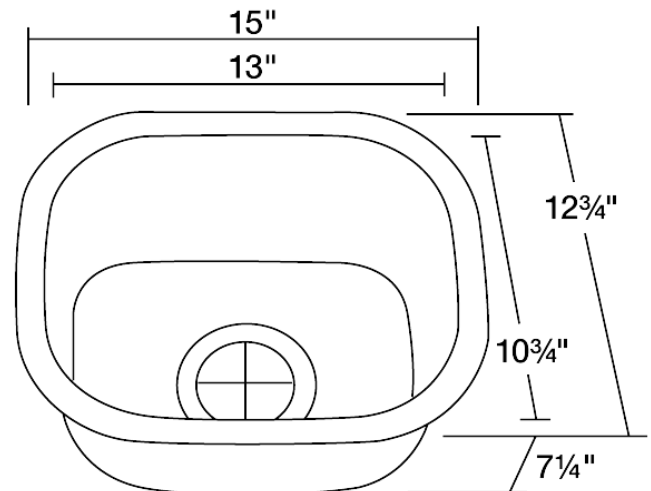
## Stainless Steel Bar Sink

The P2151 stainless steel undermount bar sink makes a great addition to your small kitchen or bar area. Constructed from 304 grade stainless steel, the single bowl P2151 is available in your choice of 18- or 16-gauge thicknesses. The surface has a brushed satin finish to help mask small scratches that may occur over time and keep your sink looking beautiful for years. The overall dimensions of the P2151 are 15" x 12 3/4" x 7 1/4" and a 15" minimum cabinet size is required. This sink contains a 3 1/2" center drain, is fully insulated and comes with sound dampening pads. As always, our stainless steel sinks are covered under a limited lifetime warranty for as long as you own the sink.

## Tech Specs

- 15" Minimum Cabinet Size
- 16- or 18-Gauge Steel Available
- Certified High-Quality 304 Stainless Steel
- Brushed Satin Finish
- Center Drain
- Thick Sound Dampener Rubber Pad
- Fully Insulated
- Cardboard Cutout Template Included
- Installation Hardware Included
- cUPC Certified (Uniform Plumbing Code)
- Limited Lifetime Warranty

## Dimensions



## Accessories Available

