



P508S

Single Bowl AstraGranite Sink

The AstraGranite P508S dual-mount single bowl sink is made from a granite composite material that is comprised of 80% Quartz and 20% Acrylic. The non-porous finish of our AstraGranite sinks gives it anti-bacterial properties. Aside from being anti-bacterial, the P508S is stain and scratch resistant and can resist heat up to 550 degrees. The overall dimensions of the sink are 17 3/4" x 16 7/8" x 7 3/4" and an 18" minimum cabinet size is required. The sink contains a 3 1/2" offset drain and is available in multiple colors. As always, our AstraGranite sinks are covered under a limited lifetime warranty for as long as you own the sink.

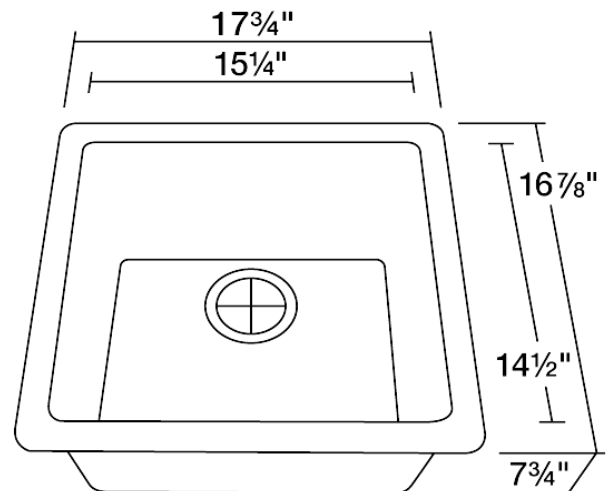
Tech Specs

- Undermount or Topmount Installation
- 18" Minimum Cabinet Size
- Made with 80% Quartzite, 20% Acrylic
- All-Natural Materials - Eco-Friendly and Recyclable
- Offset Drain
- Heat Resistant to 550 Degrees
- Stain Resistant
- Scratch Resistant
- Multiple Colors Available
- Installation Hardware Included
- cUPC Certified (Uniform Plumbing Code)
- Lifetime Warranty
- Acrylic Provides Sound Dampening - No Pads Needed

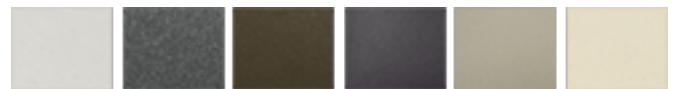
Accessories Available



Dimensions



Multiple Colors Available



Available in Beige, Black, Mocha, Silver, Slate, and White.