



## P643T

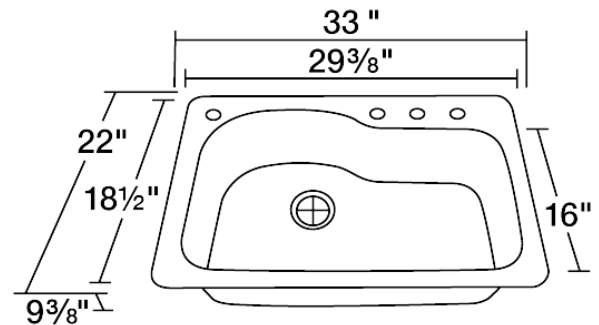
### Offset Single Bowl Topmount Stainless Steel Sink

The P643T single bowl topmount sink is constructed from 304 grade stainless steel in a 18-gauge thickness. The surface has a brushed satin finish to help mask small scratches which may occur over time, keeping your sink looking beautiful for years. The overall dimensions of the P643T are 33" x 22" x 9 3/8" and a 36" minimum cabinet size is required. This sink features a 3 1/2" offset drain, sound dampening pads, and four pre-drilled faucet/accessory holes. As always, our stainless steel sinks are covered under our limited lifetime warranty for as long as you own the sink.

### Tech Specs

- Topmount Installation
- 36" Minimum Cabinet Size
- 18-Gauge Steel
- Certified High-Quality 304 Stainless Steel
- Brushed Satin Finish
- Offset Drain
- Thick Sound Dampener Rubber Pad
- Fully Insulated
- One-Piece Construction
- Cardboard Cutout Template Included
- Installation Hardware Included
- Limited Lifetime Warranty

### Dimensions



### Accessories Available

