



P8102OB

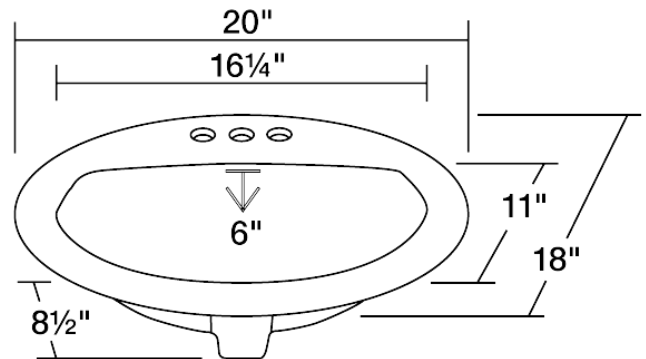
Overmount Bathroom Sink

The P8102OB porcelain overmount sink is made from true vitreous china which is triple glazed and triple fired to ensure your sink is durable and strong. Our bisque color is a beige hue that contains a yellow tint. An overmounted vanity sink is traditionally found in most bathrooms and can be used with any type of countertops. The overall dimensions for the P8102OB are 20" x 18" x 8 1/2" and requires a 21" minimum cabinet size. Pop-up drains in a variety of finishes are available with this sink model. As always, our porcelain sinks are covered under a limited lifetime warranty for as long as you own the sink.

Tech Specs

- Topmount Installation
- 21" Minimum Cabinet Size
- True Vitreous China
- Multiple Colors Available
- Cardboard Cutout Template Included
- cUPC Certified (Uniform Plumbing Code)
- Lifetime Warranty

Dimensions



Accessories Available

