



P8132ADA

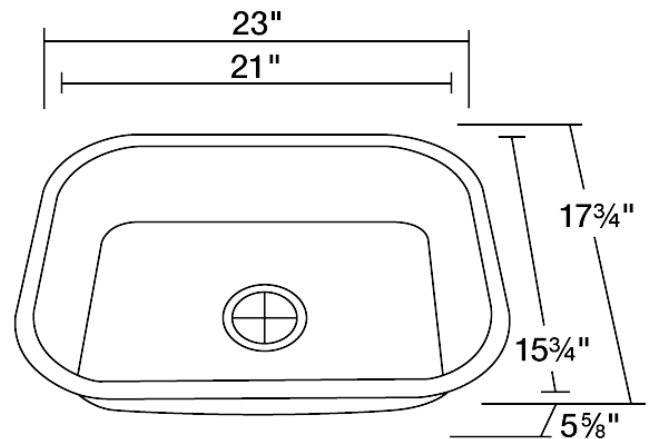
Single Bowl Stainless Steel Sink

This sink is part of our new line of economically-priced sinks that adhere to the Americans with Disabilities (ADA) guidelines. The P8132ADA is constructed from 18-gauge, 304-grade stainless steel and designed to be safer, easier to use, and more comfortable for individuals with disabilities or limited mobility. The surface has a brushed satin finish to help mask small scratches that occur over time. The overall dimensions of the P8132ADA are 23" x 17 3/4" x 5 5/8" and a 24" minimum cabinet size is required. This sink is fully insulated and comes with sound dampening pads. As always, our stainless steel sinks are covered under a limited lifetime warranty for as long as you own the sink.

Tech Specs

- Undermount Installation
- 24" Minimum Cabinet Size
- 18-Gauge Steel
- Certified High-Quality 304 Stainless Steel
- Brushed Satin Finish
- Center Drain
- Thick Sound Dampener Rubber Pad
- Fully Insulated
- Cardboard Cutout Template Included
- Installation Hardware Included
- Lifetime Warranty
- ADA Compliant

Dimensions



Accessories Available

