



PC8123

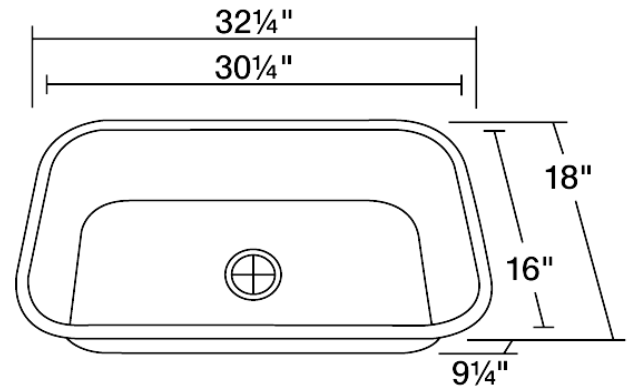
Single Bowl Undermount Stainless Steel Sink

The PC8123 is part of our new line of economically-priced sinks. It is constructed from 18 gauge, 304 grade stainless steel. The surface has a brushed satin finish to help mask small scratches that occur over time and will keep this sink looking beautiful for years. The overall dimensions of the PC8123 are 32 1/4" x 18" x 9 1/4" and a 33" minimum cabinet size is required. The PC8123 has a cutout template included with purchase. Also included with this sink is a 3 1/2" center drain. This sink is fully insulated and comes with sound dampening pads. As always, our stainless steel sinks are covered under a limited lifetime warranty for as long as you own the sink.

Tech Specs

- 16- or 18-Gauge Steel Available
- Certified High-Quality 304 Stainless Steel
- Brushed Satin Finish
- Center Drain
- Thick Sound Dampener Rubber Pad
- Fully Insulated
- One-Piece Construction
- Limited Lifetime Warranty

Dimensions



Accessories Available

