



PL105

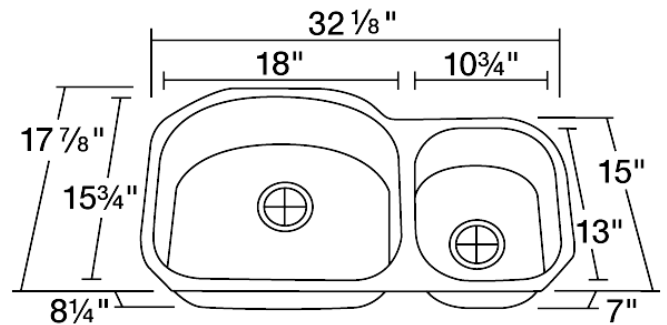
Offset Stainless Steel Kitchen Sink

The PL105 offset double bowl undermount sink is constructed from 304 grade stainless steel and is available in your choice of 18 or 16 gauge thicknesses. The surface has a brushed satin finish to help mask small scratches that occur over time and keep your sink looking beautiful for years. The overall dimensions of the PL105 are 32 1/8" x 17 7/8" x 8 1/4" and a 33" minimum cabinet size is required. This sink contains a 3 1/2" offset drain, is fully insulated and comes with sound dampening pads. As always, our stainless steel sinks are covered under a limited lifetime warranty for as long as you own the sink.

Tech Specs

- 16- or 18-Gauge Steel Available
- Certified High-Quality 304 Stainless Steel
- Brushed Satin Finish
- Offset Drain
- Thick Sound Dampener Rubber Pad
- Fully Insulated
- Cardboard Cutout Template Included
- Installation Hardware Included
- cUPC Certified (Uniform Plumbing Code)
- Limited Lifetime Warranty

Dimensions



Accessories Available

