



PR315

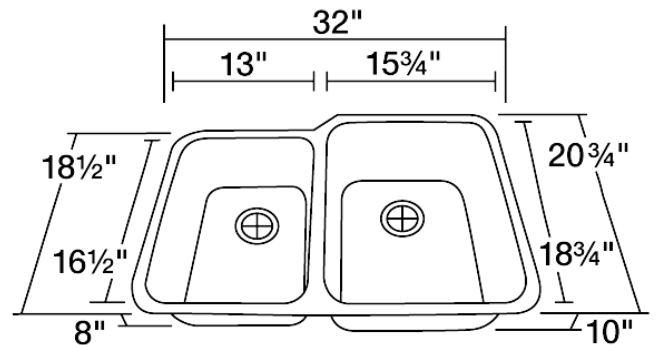
Offset Double Bowl Stainless Steel Kitchen Sink

The PR315 offset double bowl undermount sink is constructed from 304 grade stainless steel and is available in 16 gauge thickness. The surface has a brushed satin finish to help mask small scratches that occur over time and keep your sink looking beautiful for years. The overall dimensions of the PR315 are 32" x 20 3/4" x 10" and a 33" minimum cabinet size is required. This sink contains a 3 1/2" offset drain, is fully insulated and comes with sound dampening pads. As always, our stainless steel sinks are covered under a limited lifetime warranty for as long as you own the sink.

Tech Specs

- 16-Gauge Steel
- Certified High-Quality 304 Stainless Steel
- Brushed Satin Finish
- Offset Drain
- Thick Sound Dampener Rubber Pad
- Fully Insulated
- Cardboard Cutout Template Included
- Installation Hardware Included
- Limited Lifetime Warranty

Dimensions



Accessories Available

