



PUPMBL

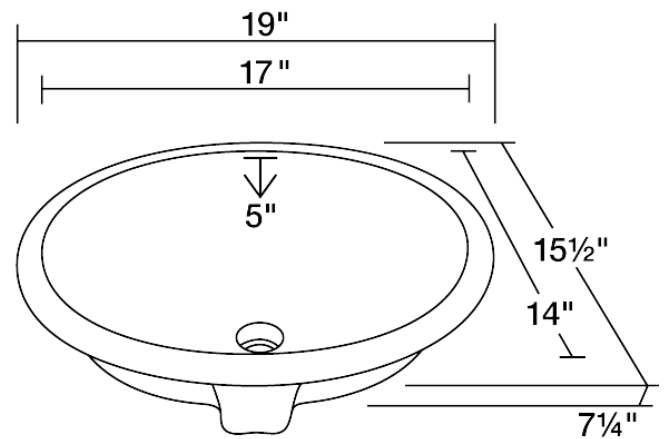
Porcelain Bathroom Sink

The PUPMBL porcelain undermount sink is made from true vitreous china which is triple glazed and triple fired to ensure your sink is durable and strong. The black glaze creates a mirror effect for a shiny finish. Undermounting a bathroom sink creates a sleek look and allows for more space on your countertop. The overall dimensions for the PUPMBL are 19" x 15 1/2" x 7 1/4" and requires a 21" minimum cabinet size. Pop-up drains in a variety of finishes are available with this sink model. As always, our porcelain sinks are covered under a limited lifetime warranty for as long as you own the sink.

Tech Specs

- Undermount Installation
- 21" Minimum Cabinet Size
- True Vitreous China
- Multiple Colors Available
- Cardboard Cutout Template Included
- Installation Hardware Included
- cUPC Certified (Uniform Plumbing Code)
- Limited Lifetime Warranty

Dimensions



Accessories Available

