



# P1254

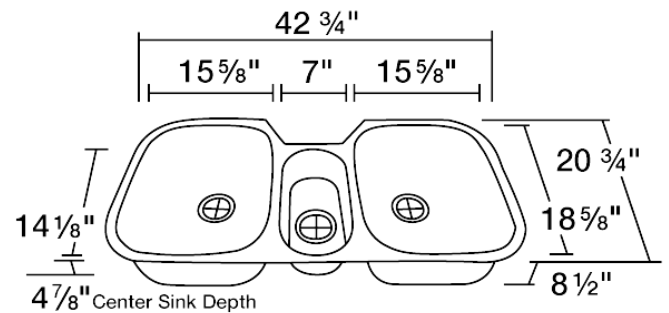
## Triple Bowl Stainless Steel

The P1254 triple bowl undermount sink is constructed from 304 grade stainless steel and is available in heavy 18 or 16 gauge thickness. The surface has a brushed satin finish to help mask small scratches that occur over time and keep your sink looking beautiful for years. The overall dimensions of the P1254 are 42 3/4" x 20 3/4" x 8 1/2" and a 45" minimum cabinet size is required. This sink contains 3 1/2" drains, is fully insulated and comes with sound dampening pads. As always, our stainless steel sinks are covered under a limited lifetime warranty for as long as you own the sink.

### Tech Specs

- 16- or 18-Gauge Steel Available
- Certified High-Quality 304 Stainless Steel
- Brushed Satin Finish
- Offset Drain
- Thick Sound Dampener Rubber Pad
- Fully Insulated
- Cardboard Cutout Template Included
- Installation Hardware Included
- Limited Lifetime Warranty

### Dimensions



### Accessories Available

