



P7191

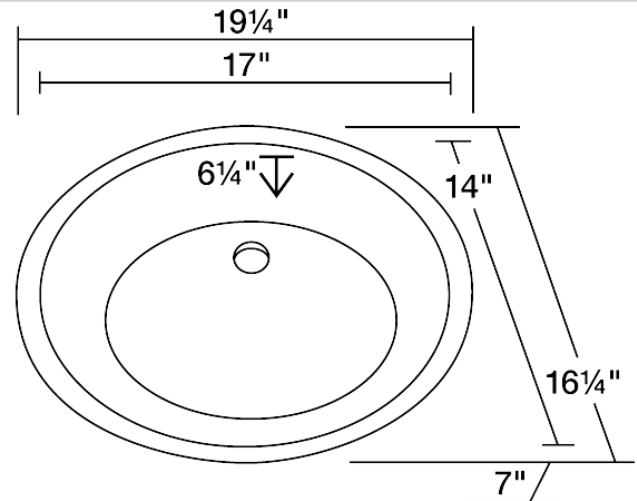
Stainless Steel Vanity Sink

The P7191 stainless steel undermount or topmount vanity sink is made from 304 grade stainless steel and is available in 18 gauge thickness. The surface has a brushed satin finish to help mask small scratches that occur over time and keep your sink looking beautiful for years. The overall dimensions of the P7191 are 19 1/4" x 16 1/4" x 7" and a 21" minimum cabinet size is required. This sink requires a pop-up drain. As always, our stainless steel sinks are covered under a limited lifetime warranty for as long as you own the sink.

Tech Specs

- Undermount or Topmount Installation
- 18-Gauge Steel
- Certified High-Quality 304 Stainless Steel
- Brushed Satin Finish
- Offset Drain
- Cardboard Cutout Template Included
- Installation Hardware Included
- cUPC Certified (Uniform Plumbing Code)
- Limited Lifetime Warranty
- Rubber Gasket for Optional Topmount Installation

Dimensions



Accessories Available

