



## PT2201US

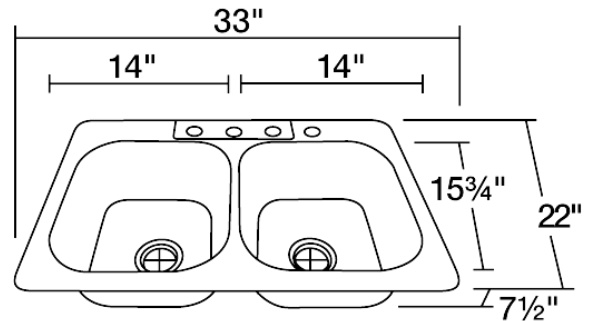
### Topmount Double Equal Bowl Stainless Steel Sink

We are proud to introduce a new line of stainless steel kitchen sinks that have been made in the USA. This new collection of kitchen sinks is made from 300-series stainless steel. The surface has a brushed satin finish to help mask small scratches that occur over time and keep your sink looking beautiful for years. The overall dimensions of the PT2201US are 33" x 22" x 7 1/2" and a 33" minimum cabinet size is required. This sink contains a 3 1/2" centered drain and comes with sound-dampening pads. As always, our stainless steel sinks are covered under a limited lifetime warranty for as long as you own the sink.

### Tech Specs

- Topmount Installation
- Certified High-Quality 300 Series Stainless Steel
- Brushed Satin Finish
- Center Drain
- Thick Sound Dampener Rubber Pad
- One-Piece Construction
- Installation Hardware Included
- Limited Lifetime Warranty

### Dimensions



### Accessories Available

